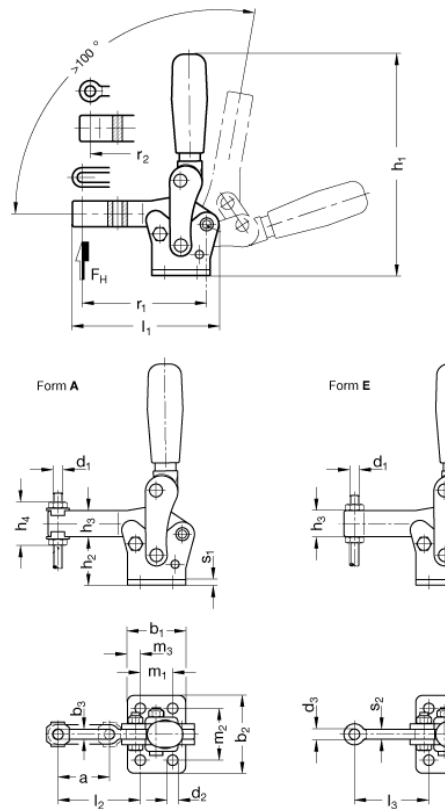


Data Sheet



Article number: 201342111
 Description: E+G vertical clamp
 GN 910-440-A

Measures



a	= 34	h1	= 215.0	m1	= 30
b1	= 54	h2	= 50	m2	= 45
b2	= 65	h3	= 24	m3	= 12
b3	= 10.5	h4	= 45	r1	= 107
d1	= M10	Holding force N	= 3000	r2	= 107
d2	= 8.5	l1	= 130	s1	= 5
d3	= 10.5	l2	= 66	s2	= 10
Form E	= 130	l3	= 66	Size	= 440